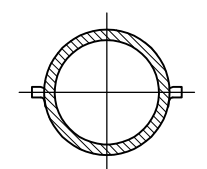
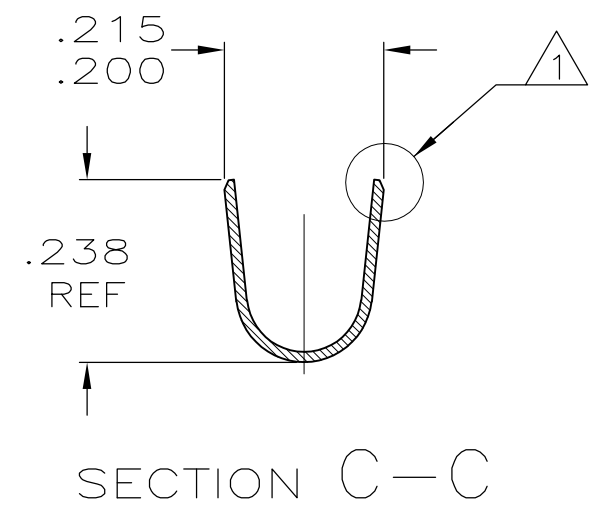
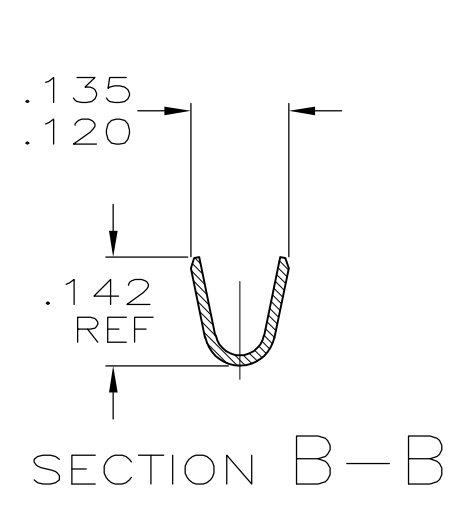
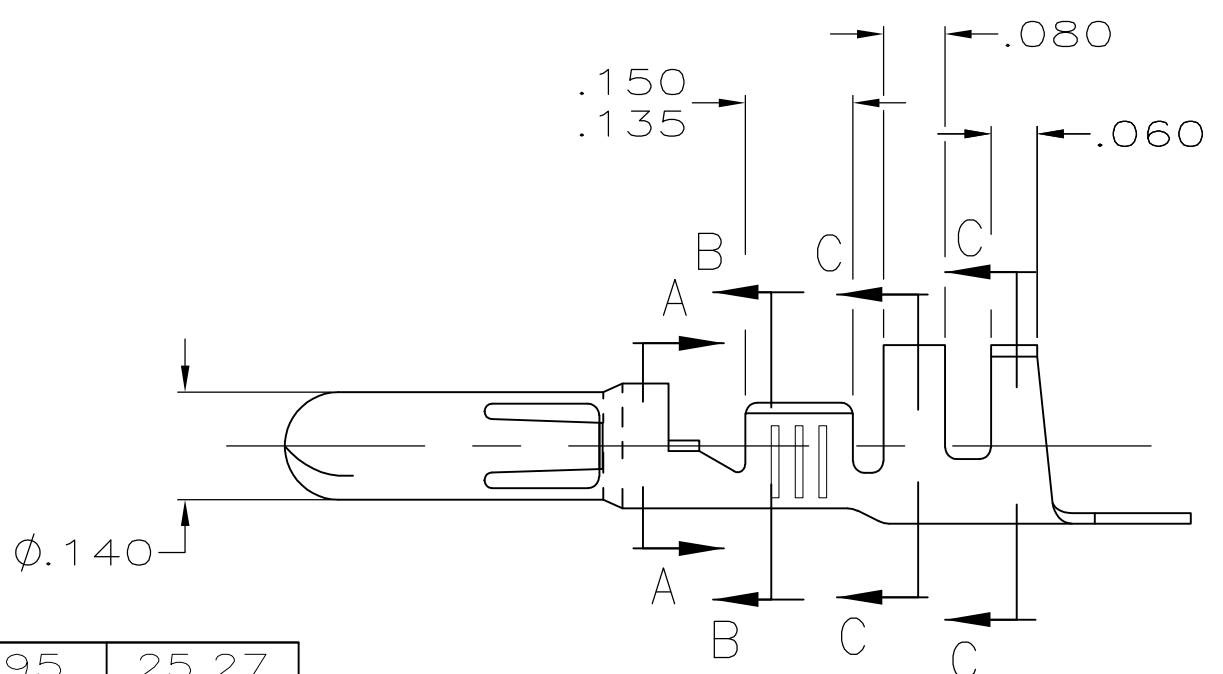
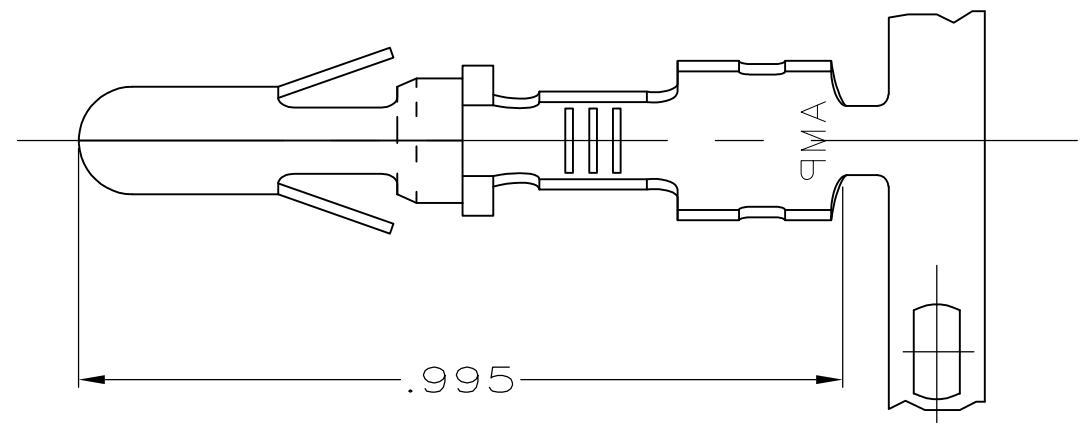
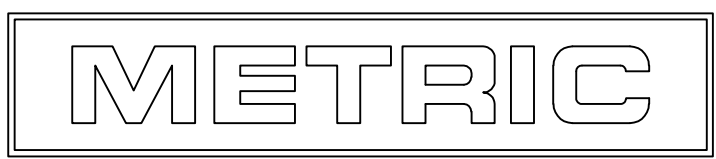


THIS DRAWING IS UNPUBLISHED. RELEASED FOR PUBLICATION  
 © COPYRIGHT - By - ALL RIGHTS RESERVED.

LOC	DIST	REVISIONS			
P	LTR	DESCRIPTION	DATE	DWN	APVD
CM	53				
	D1	REVISED PER ECO-11-005027	11MAR11	RK	HMR



SECTION A-A



IN	MM
.995	25.27
.238	6.05
.215	5.46
.200	5.08
.150	3.81
.142	3.61
.140	3.56
.135	3.43
.120	3.05
.080	2.03
.060	1.52
.014	0.36
.005	0.13
IN	MM

CONVERSION TABLE

350389-1	TIN	.014 PH. BRZ	61627-2
LOOSE PIECE (REF)	FINISH	MATERIAL	PART NUMBER
	TIN	.014 BRASS	61627-1

THIS DRAWING IS A CONTROLLED DOCUMENT.

DIMENSIONS: INCHES	TOLERANCES UNLESS OTHERWISE SPECIFIED:	DWN L. SMITH 4-07-94	<b>STE</b> TE Connectivity
	0 PLC ± -	CHK R. SWING 4-07-94	
	1 PLC ± -	APVD C. MARTIN 4-11-94	
MATERIAL SEE TABLE	FINISH SEE TABLE	PRODUCT SPEC -	NAME .140 DIA PIN
		APPLICATION SPEC -	SIZE A3
		WEIGHT -	CAGE CODE 00779
		CUSTOMER DRAWING	DRAWING NO C-61627
			RESTRICTED TO -
			SCALE 4:1
			SHEET 1 OF 1
			REV D1